

Beta — EASY —

range
2019

by
 **Beta**



www.beta-tools.com



903E/EC42

009031042

1/4"

42

Assortment of 13 hexagon sockets, 18 bits, 4 offset hexagon key wrenches and 7 accessories in plastic case

	C900	○	4-4,5-5-5,5-6-7-8-9-10-11-12-13-14 mm
	900E/55	⊕	
	C900/25		
	C900/20		50 mm
	C900/20L		100 mm
	C900/42		115 mm
	C900/30		150 mm
	96	○	1,3-1,5-2-2,5 mm
	C900AD	⊕ 14	
	861LP	●	⊕ 0,6x4-0,8x5,5-1,2x6,5 mm
	861PH	⊕	⊕ PH1-PH2-PH3
	861PZ	⊕	⊕ PZ1-PZ2-PZ3
	861PE	○	⊕ 3-4-5-6 mm
	861TX	⊕	⊕ T10-T15-T20-T25-T30



190x160x60 mm

860 EA/31

008600992

1/4" □ ⊕ ⊕ ⊕ ⊕ ⊕ ⊕

31

Set of 30 bits with magnetic bit holder, in plastic case

	861LP	●	0,5x3-0,6x4,5-0,8x5,5-1,0x5,5-1,2x6,5-1,6x8 mm
	861PH	⊕	PH1-PH2-PH3
	861PZ	⊕	PZ1-PZ2-PZ3
	861PE	○	2-3-4-5-6-8 mm
	861TX	⊕	T8-T9-T10-T15-T20-T25-T27-T30-T40
	861PQ	○	1-2-3 mm
	882M1	○	1/4 - ● 1/4






100x60x30 mm

923E-PE/C18

009231028

1/2"

Assortment of 18 sockets drivers for hexagon screws
in plastic case

 55 mm	C920PE	○	4-5-6-7-8-10-12 14-17-19 mm
 100 mm	C920PE-L	○	4-5-6-7-8 mm
 140 mm	C920PE-XL	○	10-12-14 mm

18




285x210x84 mm

923E-TX/C18

009231018

1/2"

Assortment of 18 sockets drivers for Torx® head screws
in plastic case

 55 mm	C920TX	⊕	T20-T25-T27-T30-T40- T45-T50-T55-T60-T70
 100 mm	C920TX-L	⊕	T20-T25-T27-T30-T40
 140 mm	C920TX-XL	⊕	T45-T50-T55

18



285x210x84 mm









913E/C33

009131033

3/8"

33

Assortment of 28 hexagon sockets and 5 accessories, in plastic case

	C910A	○	6-7-8-9-10-11-12-13-14-15-16-17-18-19-20-21-22-24 mm
	C910AL	○	8-9-10-12-13-14-17-19 mm
	C956E	○	16 mm (5/8") 21 mm (13/16")
	910E/55	⊗	
	C910/25		
	C910/21		75 mm
	C910/22		150 mm
	C920/15F	□	1/2" - 3/8"



285x210x84 mm



923E-FTX/C17

009231017

1/2"

17

Assortment of 17 hand sockets for Torx® head screws, in plastic case

	C920FTX	⊗	E10-E12-E14-E16-E18-E20-E22-E24
	C920TX	⊗	T20-T25-T27-T30-T40-T45-T50-T55-T60



285x210x84 mm







923E/C25

009231025

1/2"

25

Assortment of 20 hexagon sockets and 5 accessories, in plastic case

	C920A	○	8-9-10-11-12-13-14-15-16-17-18-19-20-21-22-23-24-27-30-32 mm
	C920E/55	⊗	
	C920/25		
	C920/21		125 mm
	C920/22		250 mm
	C910/16F	□ 3/8" ■ 1/2"	



285x210x84 mm

928E/C17

009282017

3/4"

17

Assortment of 12 hexagon sockets and 5 accessories, in plastic case

	C928A	○	22-24-27-30-32-34-36-38-41-46-50-55 mm
	C928/55	⊗	
	C928/25		
	C928/21		100 mm
	C928/22		200 mm
	C928/42		455 mm



555x370x92 mm

903E/C98

009031098

1/4" 1/2"

Assortment of 45 hexagon sockets,
35 bits, 4 offset hexagon key wrenches
and 14 accessories,
in plastic case



375x295x84 mm

1/4"

	C900	○	4-4,5-5-5,5-6-7-8-9-10-11-12-13-14 mm
	C900L	○	6-7-8-9-10-11-12-13 mm
	900E/55	⊕	
	C900/25		
	C900/20		50 mm
	C900/20L		100 mm
	C900/30		150 mm
	C900/42		115 mm

1/2"

	C920A	○	10-11-12-13-14-15-16-17-18-19-20-21-22-24-27-30-32 mm
	C920L	○	14-15-17-19-22 mm
	C956C	○	16 mm (5/8") - 21 mm (13/16")
	920E/55	⊕	
	C920/25		
	C920/21		125 mm
	C920/22		250 mm

	C910/16F	□ 3/8" - ■ 1/2"
	C895/6	□ 1/2" - ○ 5/16"
	C900AD	⊕ 14"
	892/0	● 1/4" - ■ 1/4"
	861PH	⊕ ⊕ PH1-PH2
	861PZ	⊕ ⊕ PZ1-PZ2
	861PE	○ ⊕ 3-4-5-6 mm
	861LP	● ⊕ 0,6x4-0,8x5,5-1,2x6,5 mm
	861TX	⊕ ⊕ T10-T15-T20-T25-T27-T30
	C866LP	● ⊕ 1,6x8-1,6x10-2,0x12 mm
	C866PH	⊕ ⊕ PH3-PH4
	C866PZ	⊕ ⊕ PZ3-PZ4
	866PE	○ ⊕ 7-8-10-12-14 mm
	866TX	⊕ ⊕ T40-T45-T50-T55-T60-T70
	96	○ 1,3-1,5-2-2,5 mm

903E/C170

009031170

1/4" 3/8" 1/2"

Assortment of 74 hexagon sockets,
42 bits, 30 socket drivers,
7 offset hexagon key wrenches
and 17 accessories,
in plastic case

170



453x375x90 mm

1/4"

	C900	○	4-4,5-5-5,5-6-7-8-9-10-11-12-13-14 mm
	C900L	○	4-5-6-7-8-9-10 mm
	900E/55	⊕	
	C900/25		
	C900/20		50 mm
	C900/20L		100 mm
	C900/30		150 mm
	C900/42		115 mm
	C900FTX	⊗	E4-E5-E6-E7-E8
	C900LP	●	0,8x4-1,0x5,5-1,2x6,5-1,2x8 mm
	C900PH	⊕	PH0-PH1-PH2
	C900PZ	⊕	PZ0-PZ1-PZ2
	C900ME	○	3-4-5-6 mm
	C900TX	⊗	T08-T09-T10-T15-T20-T25-T27-T30
	C900RTX	⊗	T08-T09-T10-T15-T20-T25-T27-T30

1/2"

	C920A	○	10-11-12-13-14-15-16-17-18-19-20-21-22-24-27-30-32 mm
	C920L	○	16-17-18-19-22 mm
	C920FTX	⊗	E18-E20-E24
	C956C	○	16 mm (5/8") - 21 mm (13/16")
	920E/55	⊕	
	C920/25		
	C920/21		125 mm
	C920/22		250 mm
	C910/16F		□ 3/8" - ■ 1/2"

	96	○	0,9-1,5-2-2,5-3-4-5 mm
	C895/4		□ 3/8" - ○ 5/16"
	C895/6		□ 1/2" - ○ 5/16"
	C900AD		⊗ - 14"
	892/0		⊗ - 14"
	861RTX	⊗	⊗ T09-T10-T15-T20-T25-T27-T30-T40
	861TX	⊗	⊗ T6-T7-T8
	861RIBE	⊗	⊗ 7-8-9 mm
	861XZN	○	⊗ 5-6-8 mm
	C866LP	●	● 1,6x8-1,6x10-2,0x12 mm
	C866PH	⊕	⊕ PH3-PH4
	C866PZ	⊕	⊕ PZ3-PZ4
	866PE	○	⊕ 7-8-10-12-14 mm
	866TX	⊗	⊗ T40-T45-T50-T55-T60-T70
	866RTX	⊗	⊗ T40-T45-T50-T55-T60-T70

3/8"

	C910A	○	10-11-12-13-14-15-16-17-18-19 mm
	C910AL	○	10-11-12-13-14-15 mm
	C910FTX	⊗	E10-E11-E12-E14-E16
	C956E	○	18 mm (11/16")
	910E/55	⊕	
	C910/25		
	C910/22		150 mm

2046E/C116

020460116

1/4" 1/2"

Tool case with assortment of 116 general maintenance tools, made of plastic

116



453x375x90 mm

1/4"

	C900	○	4-4,5-5-5,5-6-7-8-9-10-11-12-13-14 mm
	C900L	○	6-7-8-9-10-11-12-13 mm
	900E/55	⊕	
	C900/25		
	C900/20		50 mm
	C900/20L		100 mm
	C900/30		150 mm
	C900/42		115 mm

1/2"

	C920A	○	10-11-12-13-14-15-16-17-18-19-20-21-22-24-27-30-32 mm
	C920L	○	14-15-17-19-22 mm
	C956C	○	16 mm (5/8") - 21 mm (13/16")
	920E/55	⊕	
	C920/25		
	C920/21		125 mm
	C920/22		250 mm
	C910/16F	□	3/8" - 1/2"
	C895/6F	□	1/2" - 5/16"

	C900AD	⊕	1/4"
	892/0	●	1/4" - 1/4"
	861PH	⊕	PH1-PH2
	861PZ	⊕	PZ1-PZ2
	861PE	○	3-4-5-6 mm
	861LP	●	0,6x4-0,8x5,5-1,2x6,5 mm
	861TX	⊕	T10-T15-T20-T25-T27-T30
	C866LP	●	1,6x8-1,6x10-2,0x12 mm
	C866PH	⊕	PH3-PH4
	C866PZ	⊕	PZ3-PZ4
	866PE	○	7-8-10-12-14 mm
	866TX	⊕	T40-T45-T50-T55-T60-T70
	42C	⊕	7-8-9-10-11-12-13-14-15-16-17-18-19 mm
	96/SC9	○	1,5-2-2,5-3-4-5-6-8-10 mm

2047E/C108

020470108

1/4" 1/2"

Tool case with assortment of 108 general maintenance tools, made of plastic

108



555x370x92 mm

1/4"

	C900	○	4-4,5-5-5,5-6-7-8-9-10-11-12-13-14 mm
	900E/55	⊕	
	C900/25		
	C900/20		50 mm
	C900/20L		100 mm
	C900/30		150 mm
	C900/42		115 mm



860EA/31

- 861LP 0,5x3-0,6x4-5-0,8x5-5-1,0x5-5-1,2x6-5-1,6x8 mm
- ⊕ 861PH 1-2-3
- ⊕ 861PZ 1-2-3
- 861PE 2,3-4-5-6-8 mm
- 861TX T8-T9-T10-T15-T20-T25-T27-T30-T40
- 861PQ 1-2-3 mm
- 862M1 ○ 1/4" ● 1/4"

1/2"

	C920A	○	10-11-12-13-14-15-16-17-18-19-20-21-22-24-27-30-32 mm
	C956C	○	16 mm (5/8") - 21 mm (13/16")
	920E/55	⊕	
	C920/25		
	C920/21		125 mm
	C920/22		250 mm
	C910/16F	□ 3/8" - ■ 1/2"	

	C900AD	⊕ 1/4"	
	42C	⊕	7-8-9-10-11-12-13-14 15-16-17-18-19 mm
	96/SC9	○	1,5-2-2,5-3-4-5-6-8-10 mm
	1048		250 mm
	1082CM	⌒	160 mm
	1150CM	≡	180 mm
	1166CM	●	160 mm
	1201	●	3x75-4x100-5,5x125 6,5x150mm
	1202	⊕	PH1-PH2
	1370		300 g

2120L-E/T91-E

021200901

Cantilever tool box with assortment of 91 general maintenance tools, made of sheet metal



550x200x210 mm



42C		8-9-10-11-12-13-14-15-16-17-19 mm
96/SC9		1,5-2-2,5-3-4-5-6-8-10 mm



1201		2,5x50-3x75-4x100-5,5x125-6,5x150 mm
1201N		4x30 mm



860EA/31		
C900AD		14"
C900/30		150 mm
1202		PH0x60-PH1x80-PH2x100 mm
1202N		PH1x30 mm



1082CM		160 mm
1150CM		180 mm
1166CM		160 mm

12"



C920A		10-11-12-13-14-15-16-17-18-19-20-21-22-23-24-27-30-32 mm
920E/55		
C920/25		



C920/21		125 mm
C920/22		250 mm
C910/16F		□ 3/8" - ■ 1/2"
1048		250 mm
1771		3x 18 mm

2056E/E

020560411

1/4" 1/2"

146

Tool case with assortment of 146 general maintenance tools

- Removable tool panel
- Integrated thermoformed tool tray



465x330x170 mm

	861LP	0,5x3-0,6x4,5-0,8x5,5-1,0x5,5-1,2x6,5-1,6x8 mm
	861PH	1-2-3
	861PZ	1-2-3
	861PE	2-3-4-5-6-8 mm
	861TX	T8-T9-T10-T15-T20 T25-T27-T30-T40
	861PQ	1-2-3 mm
	882M1	○ 1/4 - ● 1/4



	1256TX	○	T3-T4-T5-T6-T7-T8-T9-T10-T15
	1256RTX	⊕	T6-T7-T8-T9-T10
	1256LP	●	0,8-1,2-1,5-1,8-2,2-2,5-3-3,5-4 mm
	1256PE	○	0,7-0,9-1,3-1,5-2 mm
	1256PH	⊕	PH000-PH00-PH0-PH1
	1256PZ	⊕	PZ000-PZ00-PZ0-PZ1
	1256/20		
	1256/30	4 mm	110 mm



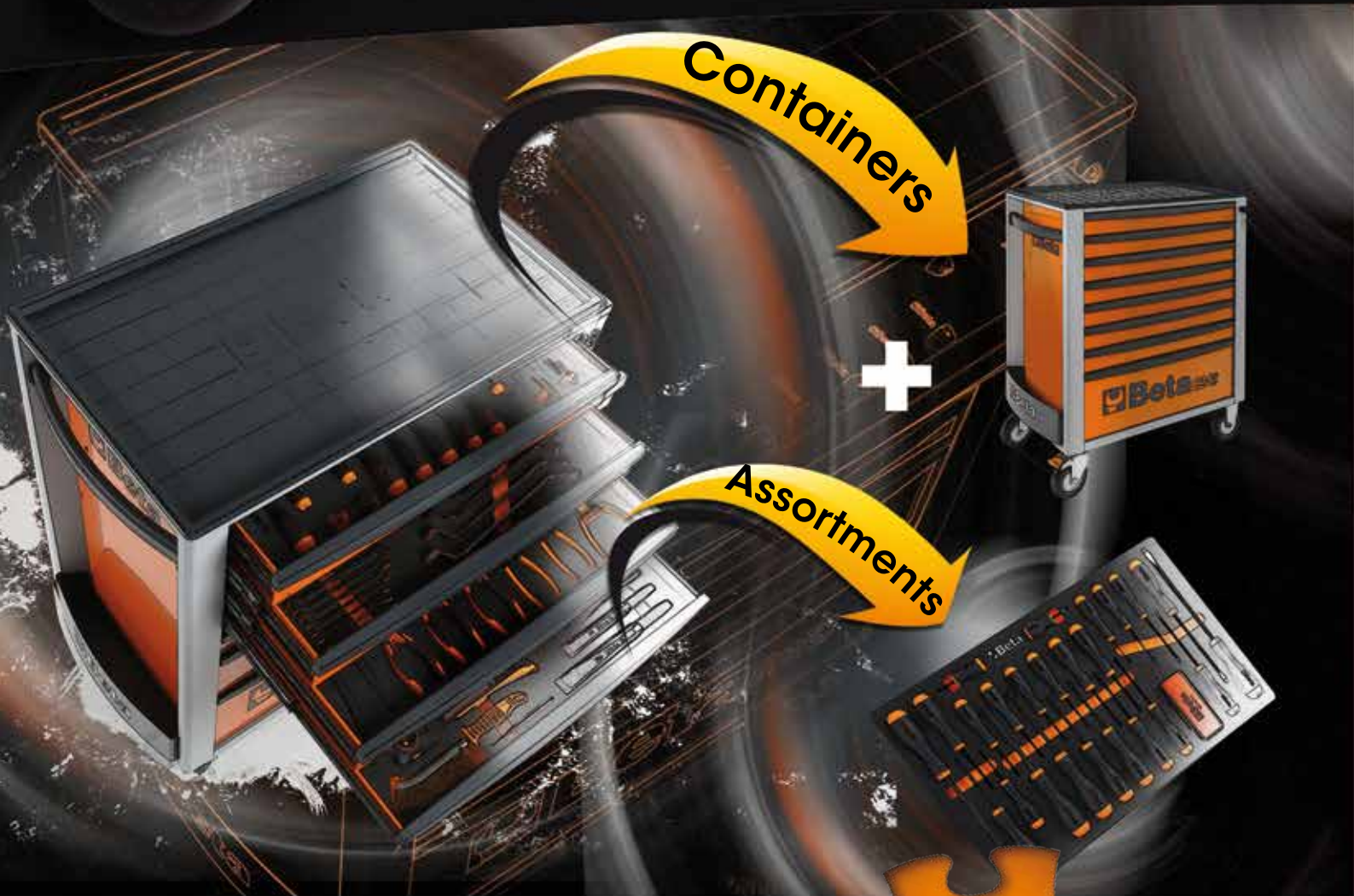
1/4"

	895 /1		○ 1/4 - □ 1/4
	C900	○	4-4,5-5-5,5-6-7-8-9-10-11 12-13-14 mm
	C900/20		50 mm
	C900/20L		100 mm
	C900/25		
	C900/30		150 mm
	C900/42		110 mm
	900E/55	⊕	

1/2"

	C920A	○	10-11-12-13-14-15-16-17-18 19-21-22-24 mm
	C910/16F	□	3/8" - 1/2"
	C920/21		125 mm
	C920/22		250 mm
	C920/25		
	920E/55	⊕	

	42C	⊕	8-9-10-11-12-13-14-15-16-17 18-19 mm
	96BPC/SC9	○	1,5-2-2,5-3-4-5-6-8-10 mm
	111		250 mm
	1048		250 mm
	1082CM	⊕	160 mm
	1098		220 mm
	1150CM	⊕	180 mm
	1166CM	●	160 mm
	1128BMX		
	1201	●	3x75-4x125-5,5x150- 6,5x150 mm
	1202	⊕	PH1x80 - PH2x100 mm
	1253	●	3,5x100 mm
	1370		300 g
	1692/5		5 m
	1725CR		150 mm
	1771	3x	18 mm



2400E-C04BOX

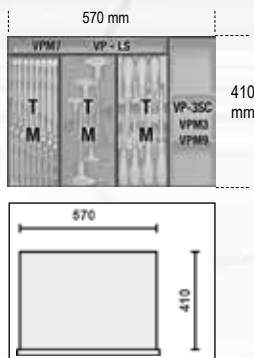
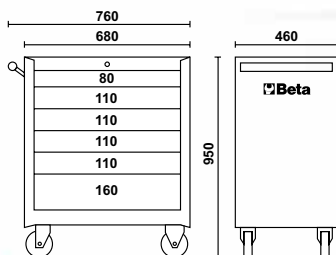
024002322

New Item

218

Mobile roller cab with 6 drawers, with assortment of 218 tools

- 6 drawers (570x410 mm), with ball bearing slides:
 - 1 drawer, 80 mm high
 - 4 drawers, 110 mm high
 - 1 drawer, 160 mm high
- Drawer bases protected by foamed rubber mats.
- Four castors, Ø 125 mm:
 - 2 fixed and 2 steering (two with brakes).
- Front centralised safety lock.
- Static load capacity: 150 kg.
- Polypropylene worktop.





1/4"

- C900: 4-4,5-5-5,5-6-7-8-9-10-11-12-13-14 mm
- C900L: 6-7-8-9-10-11-12-13 mm
- C900AD: -
- C900/20: 50 mm
- C900/20L: 100 mm
- C900/25:
- C900/30: 150 mm
- C900/42:
- C900/48: 150 mm

1/2"

- C910/16F: 3/8" - 1/2"
- C920A: 12-13-14-15-16-17-18-19-20-21-22-24-27-30-32 mm
- C920L: 14-15-17-19 mm
- C920/21: 125 mm
- C920/22: 250 mm
- C920/25:
- C920/55: 250 mm
- C956C: 16 mm (5/8") - 21 mm (13/16")



- 861LP: 0,5x3(2x)-0,6x4(2x)-0,6x4,5(2x)-0,8x5,5-1x5,5(2x)-1,2x6,5-1,6x8 mm
- 861PE: 2(2x)-2,5(2x)-3(2x)-4(2x)-5(2x)-6(2x)-8 mm
- 861PH: 1(5x)-2(5x)-3(2x)
- 861PZ: 1(5x)-2(5x)-3(2x)
- 861TX: T8-T9-T10-T15-T20-T25-T27-T30-T40
- 861RTX: T7-T9-T10-T15-T20-T25-T27-T30-T40
- 861RIBE: M5-M6-M7-M8
- 861XZN: M5-M6-M8
- 861PQ: 1-2-3 mm
- 861TRW: 1-2-3-4
- 861TQS: 2-3-4-5-6-8-10
- 861SP: 4-6-8-10-12
- 8920: 1/4 - 1/4
- 895/6: 5/16 - 1/2
- 882M1: 50 mm
- 866PE: 7-8-10-12 mm
- 866TX: T40-T45-T50-T55
- C866LP: 1,6x8-1,6x10-2,0x12 mm
- C866PH: 3-4
- C866PZ: 3-4



- 1048: 250 mm
- 1370: 500 g
- 1390N: Ø 35
- 1692/3: 3 m
- 1771BM: 18 mm

- 1771RL: 18 mm
- 31: Ø 2-3-4-5-6 mm
- 1082CM: 160 mm
- 1150CM: 180 mm
- 1166CM: 200 mm



- 42C: 6-7-8-9-10-11-12-13-14-15-16-17-19-21-22-24 mm
- 96BPC/SK9: 1,5-2-2,5-3-4-5-6-8-10 mm
- 1201: 5,5x100-6,5x150 mm
- 1202: PH0x60-PH1x80-PH2x100 mm
- 1204: 4x100 mm



2400S-07/E-M
024002291

Mobile roller cab with 7 drawers, with assortment of 210 tools

- 7 drawers (588x367 mm), with ball bearing slides:
 - 5 drawers, 70 mm high
 - 1 drawer, 140 mm high
 - 1 drawer, 210 mm high
- Drawer bases protected by foamed rubber mats.
- Four castors Ø 125 mm: 2 fixed and 2 steering (one with brake).
- Front centralized safety lock.
- Static load capacity: 800 kg.
- Integrated side bottle holder.



Castors with metal cores for enhanced sturdiness



Sturdy nylon front

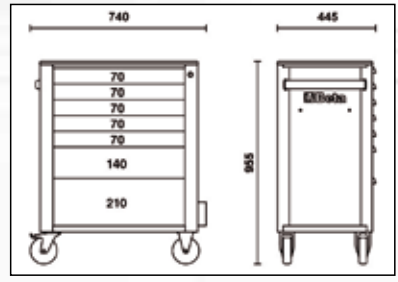
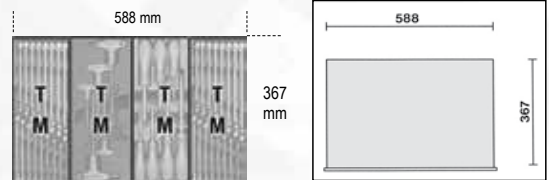


2400S-G7/E-M
024002294



2400S-R7/E-M
024002297

n°	h	max
5	70 mm	25 kg
1	140 mm	30 kg
1	210 mm	30 kg





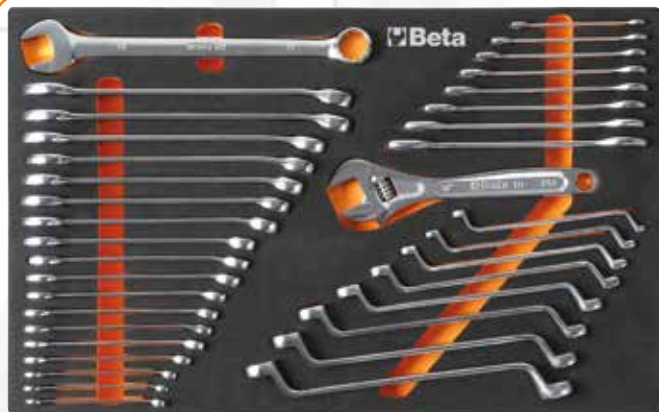
1/4"

C900 ○ 4-4,5-5-5,5-6-7-8-9-10-11-12-13-14 mm
C900L ○ 4-4,5-5-5,5-6-7-8-9-10-11-12-13-14 mm
900E/55 Ⓢ
C900/25
C900/20L 50 mm
C900/42 115 mm
C900/30 150 mm
C900ME ○ 3-4-5-6-7-8 mm
C900TX ○ T06-T07-T08-T09-T10-T15-T20-T25
C900AD Ⓢ 14T

1/2"

C920A ○ 8-9-10-11-12-13-14-15-16-17-18-19-20-21-22-23-24-27-30-32 mm
C920L ○ 10-12-13-14-15-16-17-18-19-21-22 mm
920E/55 Ⓢ
C920/25
C920/21 125 mm
C920/22 250 mm
C910/16F □ 3/8" - ■ 1/2"
C920PE ○ 5-6-7-8-9-10-12-14 mm
C920TX ○ T27-T30-T40-T45-T50-T55-T60

860EA/C31 Ⓢ Ⓢ Ⓢ Ⓢ Ⓢ Ⓢ Ⓢ Ⓢ



42C Ⓢ 6-7-8-9-10-11-12-13-14-15-16-17-18-19-20-21-22-23-24 mm
55 Ⓢ 6x7-8x9-10x11-12x13-14x15-16x17-18x19-20x22 mm
90 Ⓢ 6x7-8x9-10x11-12x13-14x15-16x17-18x19-20x22 mm
111 250 mm



1201 ● 2,5x50-3x75-4x1005,5x125-6,5x150-8x200 mm
1201N ● 4x30 mm
1202 Ⓢ PH0x60-PH1x80-PH2x100-PH3x150 mm
1202N Ⓢ PH1x30 mm
1207TX Ⓢ T06-T07-T08-T09-T10-T15-T20-T25-T27-T30-T40
96BPC/SC9 ○ 1,5-2-2,5-3-4-5-6-8-10 mm



1082CM 160 mm
1150CM 180 mm
1166CM 200 mm
1032-180 ○ 19+60 mm
1034-170 ○ 19+60 mm
1036-175 ● 19+60 mm
1038-175 ● 19+60 mm
1048 250 mm
1370 500 g
1390 Ø 35 mm
32 Ø 4 mm
34 150 mm
36 125 mm

2400S-07/E-L

024002292



Mobile roller cab with 7 drawers, with assortment of 295 tools

- 7 drawers (588x367 mm), with ball bearing slides:
 - 5 drawers, 70 mm high
 - 1 drawer, 140 mm high
 - 1 drawer, 210 mm high
- Drawer bases protected by foamed rubber mats.
- Four castors Ø 125 mm:
 - 2 fixed and 2 steering (one with brake).
- Front centralized safety lock.
- Static load capacity: 800 kg.
- Integrated side bottle holder.

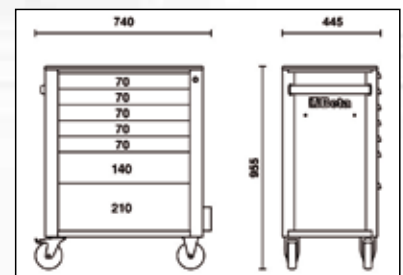
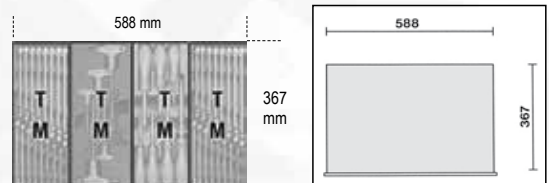


Castors with metal cores for enhanced sturdiness



Sturdy nylon front

n°	h	↓ max
5	70 mm	25 kg
1	140 mm	30 kg
1	210 mm	30 kg



2400S-G7/E-L
024002295



2400S-R7/E-L
024002298



1/4"

- C900 ○ 4-4,5-5-5,5-6-7-8-9-10-11-12-13-14 mm
- C900L ○ 4-4,5-5-5,5-6-7-8-9-10-11-12-13-14 mm
- 900E/55 ⊕
- C900/25
- C900/20L 50 mm
- C900/20L 100 mm
- C900/42 115 mm
- C900/30 150 mm
- C900ME ○ 3-4-5-6-7-8 mm
- C900TX ⊕ T06-T07-T08-T09-T10-T15-T20-T25
- C900AD ⊕

1/2"

- C920A ○ 8-9-10-11-12-13-14-15-16-17-18-19-20-21-22-23-24-27-30-32 mm
- C920L ○ 10-12-13-14-15-16-17-18-19-21-22 mm
- 920E/55 ⊕
- C920/25
- C920/21 125 mm
- C920/22 250 mm
- C910/16F □ 3/8" - 1/2"
- C920PE ○ 5-6-7-8-9-10-12-14 mm
- C920TX ⊕ T27-T30-T40-T45-T50-T55-T60

860EA/C31 ⊕ ⊕ ⊕ ⊕ ⊕ ⊕ ⊕ ⊕



- 1201 ● 2,5x50-3x75-4x100-5,5x125-6,5x150-8x200 mm
- 1201N ● 4x30 mm
- 1202 ⊕ PH0x60-PH1x80-PH2x100-PH3x150
- 1202N ⊕ PH1x30 mm
- 1207TX ⊕ T06-T07-T08-T09-T10-T15-T20-T25-T27-T30-T40-T45
- 1256/C36-2



- 42C ⊕ 6-7-8-9-10-11-12-13-14-15-16-17-18-19-20-21-22-23-24-27-30-32 mm
- 96BPC/SC9 ○ 1,5-2-2,5-3-4-5-6-8-10 mm



3/8"

- C910A ○ 6-7-8-9-10-11-12-13-14-15-16-17-18-19-20-21-22 mm
- C910L ○ 8-10-11-12-13-14-17-19 mm
- 910E/55 ⊕
- C910/25
- C910/21 75 mm
- C910/22 150 mm
- C920/15F □ 1/2" - 3/8"
- C910PE ○ 4-5-6-7-8-9-10 mm
- C910TX ⊕ T15-T20-T25-T27-T30-T40-T45
- 55 ⊕ 6x7-8x9-10x11-12x13-14x15-16x17-18x19-20x22 mm
- 90 ⊕ 6x7-8x9-10x11-12x13-14x15-16x17-18x19-20x22 mm



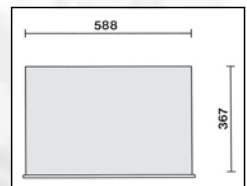
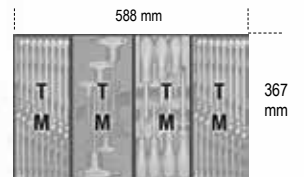
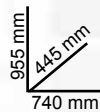
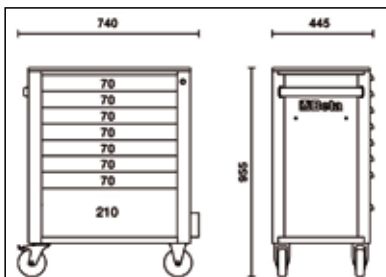
- 1082CM 160 mm
- 1150CM 180 mm
- 1166CM 200 mm
- 1032-180 ○ 19+60 mm
- 1034-170 ○ 19+60 mm
- 1036-175 ● 19+60 mm
- 1038-175 ● 19+60 mm
- 1048 250 mm
- 1370 500 g
- 1390 Ø 35 mm
- 32 Ø 4 mm
- 34 150 mm
- 36 125 mm

2400S-08/E-XL

024002293

Mobile roller cab with 8 drawers, with assortment of 384 tools

- 8 drawers (588x367 mm), with ball bearing slides:
 - 7 drawers, 70 mm high
 - 1 drawer, 210 mm high
- Drawer bases protected by foamed rubber mats.
- Four castors Ø 125 mm:
 - 2 fixed and 2 steering (one with brake).
- Front centralized safety lock.
- Static load capacity: 800 kg.
- Integrated side bottle holder.



n°	h	↓ max
7	70 mm	25 kg
1	210 mm	30 kg



2400S-G8/E-XL

024002296



2400S-R8/E-XL

024002299



Sturdy nylon front



Castors with metal cores for enhanced sturdiness



30 Ø 2-3-4 mm	36 125 mm	1719BMA/Q	■ 200 mm
31 Ø 2-3-4-5-6-8 mm	1370 500 g	1719BMA/T	▲ 200 mm
32 Ø 4 mm	1390 Ø 35 mm	1719BMA/P	▮ 200 mm
34 150 mm	1692 3 m	1719BMA/M	▶ 200 mm
35 200-250 mm	1712	1719BMA/R	● 200 mm
1771	1737		



1/4" C900 ○ 4-4,5-5-5,5-6-7-8-9-10-11-12-13-14 mm
 C900L ○ 4-4,5-5-5,5-6-7-8-9-10-11-12-13-14 mm
 C900FTX ○ E4-E5-E6-E7-E8-E10
 900E/55 Ⓟ
 C900/25
 C900/21 50 mm
 C900/20L 100 mm
 C900/30 150 mm
 C900/42 115 mm
 C900ME ○ 3-4-5-6-7-8 mm
 C900TX ○ T06-T07-T08-T09-T10-T15-T20-T25
 C900LP ● 0,8x4-1x5,5-1,2x6,5-1,2x8 mm
 C900PH ⊕ PH0-PH1-PH2-PH3
 C900AD ⊕ 14"

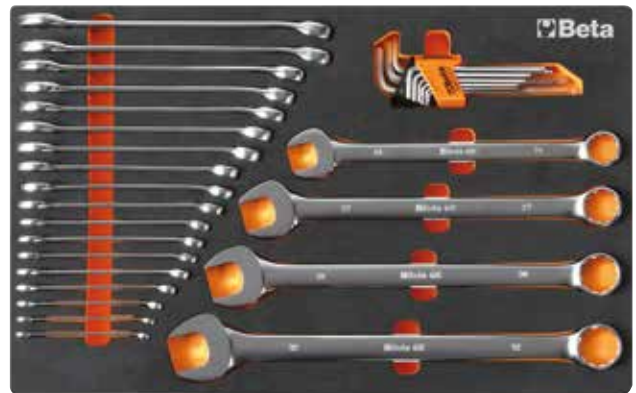
3/8" C910A ○ 6-7-8-9-10-11-12-13-14-15-16-17-18-19-20-21-22-24 mm
 C910L ○ 8-10-11-12-13-14-17-19 mm
 C910FTX ○ E6-E7-E8-E10-E11-E12-E14
 910E/55 200 mm
 C910/25
 C910/21 75 mm
 C910/22 150 mm
 C920/15F □ 1/2" - ■ 3/8"
 C910PE ○ 4-5-6-7-8-9-10 mm
 C910TX ○ T15-T20-T25-T27-T30-T40-T45
 860EA/C31 ⊕ ⊕ ⊕ ⊕ ⊕ ⊕
 1256/C36-2



1/2" C920A ○ 8-9-10-11-12-13-14-15-16-17-18-19-20-21-22-23-24-27-30-32 mm
 C920L ○ 10-12-13-14-15-16-17-18-19-21-22-24-27-30-32 mm
 C920FTX ○ E10-E12-E14-E16-E18-E20-E22-E24
 920E/55 Ⓟ
 C920/25
 C920/21 125 mm
 C920/22 250 mm
 C910/16F □ 3/8" - ■ 1/2"
 C920PE ○ 5-6-7-8-9-10-12-14 mm
 C920PE/L ○ 5-6-7-8-9-10-12-14 mm
 C920TX ○ T27-T30-T40-T45-T50-T55-T60
 C920TX/L ○ T30-T40-T45-T50-T55-T60-T70



55 ⊕ 6x7-8x9-10x11-12x13-14x15-16x17-18x19-20x22-21x23-24x27-30x32 mm
 90 ⊕ 6x7-8x9-10x11-12x13-14x15-16x17-18x19-20x22-21x23-24x27-30x32 mm
 97BTX/SC8 T9-T10-T15-T20-T25-T27-T30-T40



42C ⊕ 6-7-8-9-10-11-12-13-14-15-16-17-18-19-20-21-22-23-24-27-30-32 mm
 96BPC/SC9 ○ 1,5-2,2-3-4-5-6-8-10 mm



1201 ● 2,5x50-3x75-4x100-5,5x125-6,5x150-8x200 mm
 1201N ● 4x30 mm
 1202 ⊕ PH0x60-PH1x80-PH2x100-PH3x150
 1202N ⊕ PH1x30 mm
 1207TX ○ T06-T07-T08-T09- T10-T15-T20-T25-T27-T30-T40-T45
 1253 ● 3,5x100 mm



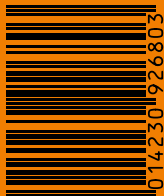
1082CM 160 mm
 1150CM 180 mm
 1166CM 200 mm
 1168CM 200 mm
 1048 250 mm
 1098 220 mm
 1032-180 ○ 19+60 mm
 1034-170 ○ 19+60 mm
 1036-175 ● 19+60 mm
 1038-175 ● 19+60 mm
 1052 190-240 mm
 1128BMX

Beta Utensili S.p.A.
Via Volta 18
20845 Sovico (MB) - Italy
Tel. +39 039.2077.1
Fax + 39 039.2010742



 **Beta**
— EASY —

099804388



8 014230 926803

The images are for reference only. Beta Utensili S.p.A. reserves the right to update and upgrade its product range without notice.